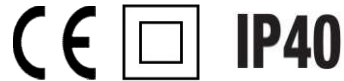


SPOTLED

Cod. SPSA240140



Introduction

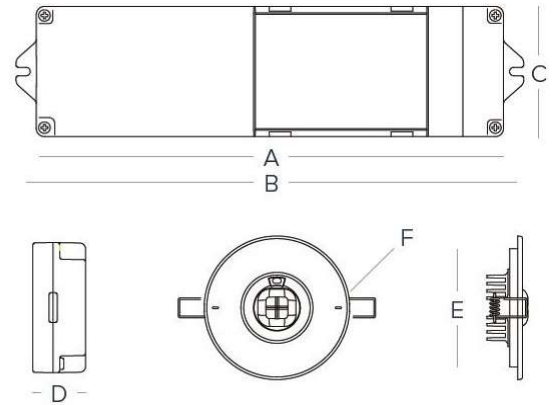
SPOTLED series self-contained LED emergency light with self-extinguishing RAL9003 white polycarbonate body. False ceiling installation. Power supply 220/230 Vac, 50-60 Hz. Type Non-Maintained or Maintained; luminous flux 300 lm. Symmetrical and Asymmetrical optics included.

N.1 rechargeable LiFePO₄ battery @ 1.5 Ah included; charging time 12 H; autonomy 1 H. Protection rating IP40, double insulated, operating temperature 0 °C ÷ 40 °C.

Description

Product series	SPOTLED
Product type	Emergency luminaire
Version	Standard
Type	Non-Maintained, Maintained
Module dimensions	230 x 65 x 26 mm
Spotlight diameter	90 mm

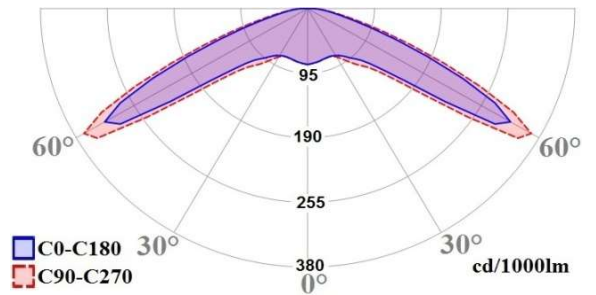
A = mm 230
 B = mm 240,2
 C = mm 65
 D = mm 26
 F = Ø 90
 E = Ø 74



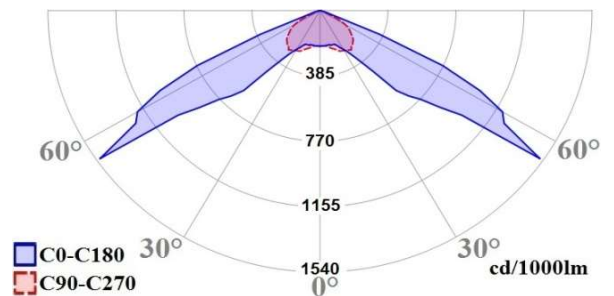
Technical specifications

Installation	False ceiling
Power supply	220/230 V~, 50-60 Hz
Absorbed power in W	6.0 W
Max absorbed power in VA	9.2 VA
Battery	N.1 LiFePO ₄ 3.2 V 1.5 Ah
Autonomy	1 H
Total charging time	12 H
Driver Body	White Polycarbonate RAL9003
Spotlight Frame	White Polycarbonate RAL9003
Glow wire	850 °C
IP Protection rating	IP40
IK Protection rating	IK07
Insulation class	II
Operating temperature	0° - 40°C
Maintained mode information	Dedicated terminal 230 V~
Additional information	Terminals for inhibit mode and rest mode
Compliant to standards	EN 60598-1, EN 60598-2-22, EN 61547 EN 55015, EN 61000-3-2, EN 61000-3-3 EN 61347-1, EN 61347-2-7
Light source	LED
Colour temperature	5700K
Min. luminous flux in emergency	300 lm
Lum. flux in Maintained mode	220 lm

Symmetrical optics

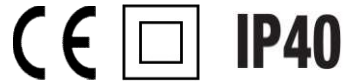


Asymmetrical optics



SPOTLED

Cod. SPSA240340



Introduction

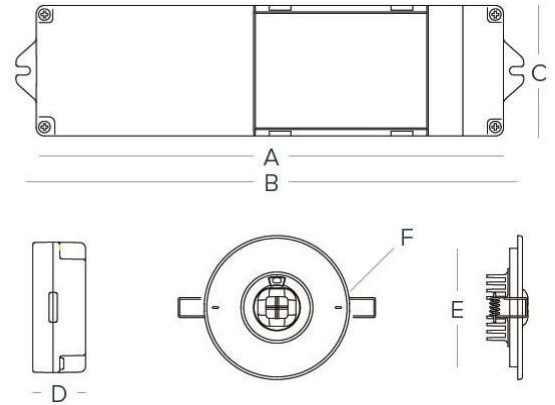
SPOTLED series self-contained LED emergency light with self-extinguishing RAL9003 white polycarbonate body. False ceiling installation. Power supply 220/230 Vac, 50-60 Hz. Type Non-Maintained or Maintained; luminous flux 300 lm. Symmetrical and Asymmetrical optics included.

N.2 rechargeable LiFePO₄ batteries @ 1.5 Ah included; charging time 12 H; autonomy 3 H. Protection rating IP40, double insulated, operating temperature 0 °C ÷ 40 °C.

Description

Product series	SPOTLED
Product type	Emergency luminaire
Version	Standard
Type	Non-Maintained, Maintained
Module dimensions	230 x 65 x 26 mm
Spotlight diameter	90 mm

A = mm 230
 B = mm 240,2
 C = mm 65
 D = mm 26
 F = ø 90
 E = ø 74



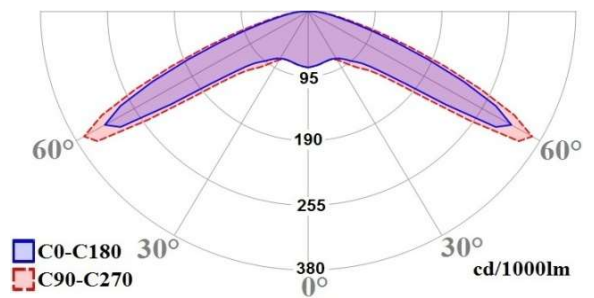
Technical specifications

Installation	False ceiling
Power supply	220/230 V~, 50-60 Hz
Absorbed power in W	6.0 W
Max absorbed power in VA	9.2 VA
Batteries	N.2 LiFePO ₄ 3.2 V 1.5 Ah
Autonomy	3 H
Total charging time	12 H

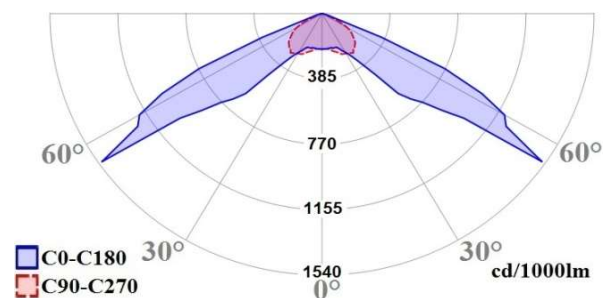
Driver Body	White Polycarbonate RAL9003
Spotlight Frame	White Polycarbonate RAL9003
Glow wire	850 °C
IP Protection rating	IP40
IK Protection rating	IK07
Insulation class	II
Operating temperature	0° - 40°C
Maintained mode information	Dedicated terminal 230 V~
Additional information	Terminals for inhibit mode and rest mode
Compliant to standards	EN 60598-1, EN 60598-2-22, EN 61547 EN 55015, EN 61000-3-2, EN 61000-3-3 EN 61347-1, EN 61347-2-7

Light source	LED
Colour temperature	5700K
Min. luminous flux in emergency	300 lm
Lum. flux in Maintained mode	220 lm

Symmetrical optics

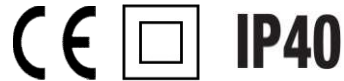


Asymmetrical optics



SPOTLED

Cod. SPAA240140



Introduction

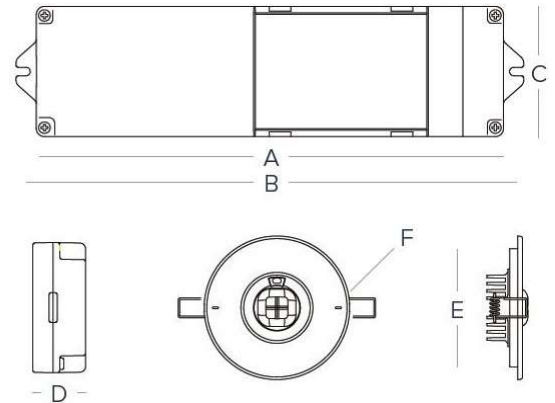
SPOTLED series self-contained LED emergency light with self-extinguishing RAL9003 white polycarbonate body. False ceiling installation. Power supply 220/230 Vac, 50-60 Hz. Type Non-Maintained or Maintained; luminous flux 300 lm. Symmetrical and Asymmetrical optics included.

N.1 rechargeable LiFePO₄ battery @ 1.5 Ah included; charging time 12 H; autonomy 1 H. Function/Malfunction signalling LEDs. Protection rating IP40, double insulated, operating temperature 0 °C ÷ 40 °C.

Description

Product series	SPOTLED
Product type	Emergency luminaire
Version	Self-Test (Self-diagnosis)
Type	Non-Maintained, Maintained
Module dimensions	230 x 65 x 26 mm
Spotlight diameter	90 mm

A = mm 230
 B = mm 240,2
 C = mm 65
 D = mm 26
 F = Ø 90
 E = Ø 74



Technical specifications

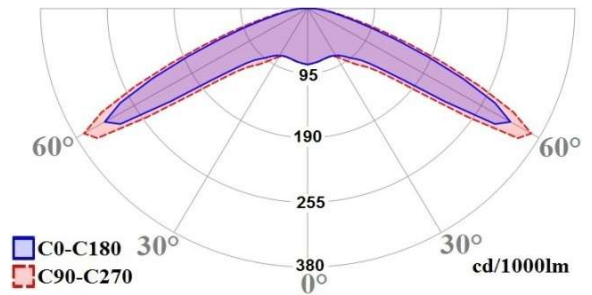
Installation	False ceiling
Power supply	220/230 V~, 50-60 Hz
Absorbed power in W	6.0 W
Max absorbed power in VA	9.2 VA
Battery	N.1 LiFePO ₄ 3.2 V 1.5 Ah
Autonomy	1 H
Total charging time	12 H

Driver Body	White Polycarbonate RAL9003
Spotlight Frame	White Polycarbonate RAL9003
Glow wire	850 °C
IP Protection rating	IP40
IK Protection rating	IK07
Insulation class	II

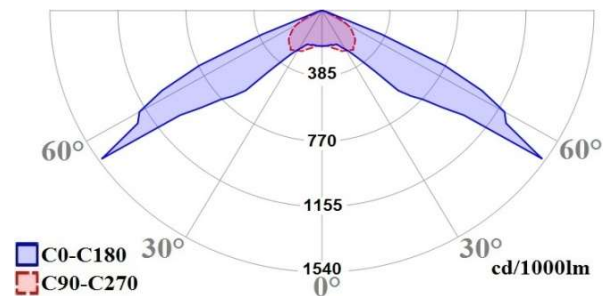
Operating temperature	0° - 40°C
Maintained mode information	Dedicated terminal 230 V~
Additional information	Terminals for inhibit mode and rest mode
Compliant to standards	EN 60598-1, EN 60598-2-22, EN 61547 EN 55015, EN 61000-3-2, EN 61000-3-3 EN 61347-1, EN 61347-2-7, EN 62034

Light source	LED
Colour temperature	5700K
Min. luminous flux in emergency	300 lm
Lum. flux in Maintained mode	220 lm

Symmetrical optics

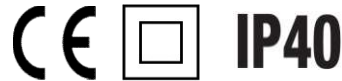


Asymmetrical optics



SPOTLED

Cod. SPAA240340



Introduction

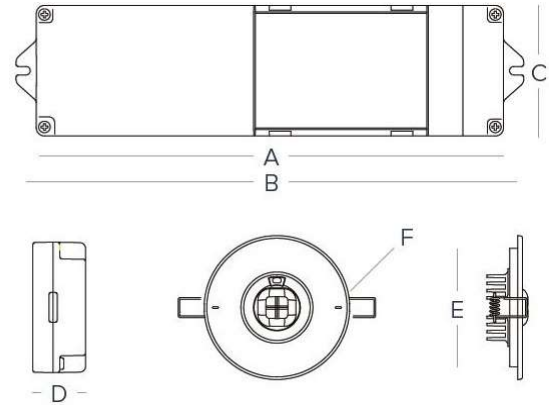
SPOTLED series self-contained LED emergency light with self-extinguishing RAL9003 white polycarbonate body. False ceiling installation. Power supply 220/230 Vac, 50-60 Hz. Type Non-Maintained or Maintained; luminous flux 300 lm. Symmetrical and Asymmetrical optics included.

N.2 rechargeable LiFePO₄ batteries @ 1.5 Ah included; charging time 12 H; autonomy 3 H. Function/Malfunction signalling LEDs. Protection rating IP40, double insulated, operating temperature 0 °C ÷ 40 °C.

Description

Product series	SPOTLED
Product type	Emergency luminaire
Version	Self-Test (Self-diagnosis)
Type	Non-Maintained, Maintained
Module dimensions	230 x 65 x 26 mm
Spotlight diameter	90 mm

A = mm 230
 B = mm 240,2
 C = mm 65
 D = mm 26
 F = ø 90
 E = ø 74



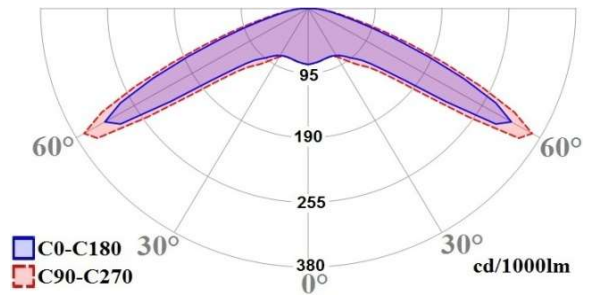
Technical specifications

Installation	False ceiling
Power supply	220/230 V~, 50-60 Hz
Absorbed power in W	6.0 W
Max absorbed power in VA	9.2 VA
Batteries	N.2 LiFePO ₄ 3.2 V 1.5 Ah
Autonomy	3 H
Total charging time	12 H

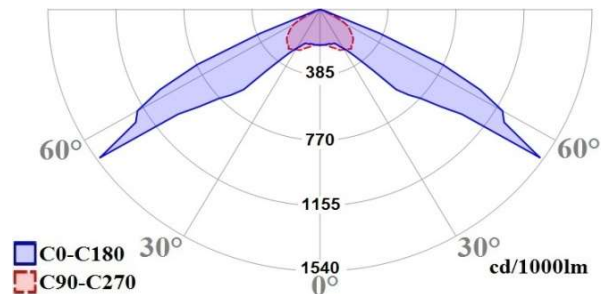
Driver Body	White Polycarbonate RAL9003
Spotlight Frame	White Polycarbonate RAL9003
Glow wire	850 °C
IP Protection rating	IP40
IK Protection rating	IK07
Insulation class	II
Operating temperature	0° - 40°C
Maintained mode information	Dedicated terminal 230 V~
Additional information	Terminals for inhibit mode and rest mode
Compliant to standards	EN 60598-1, EN 60598-2-22, EN 61547 EN 55015, EN 61000-3-2, EN 61000-3-3 EN 61347-1, EN 61347-2-7, EN 62034

Light source	LED
Colour temperature	5700K
Min. luminous flux in emergency	300 lm
Lum. flux in Maintained mode	220 lm

Symmetrical optics

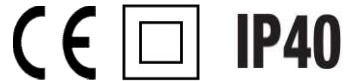


Asymmetrical optics



SPOTLED

Cod. SPBA240140



Introduction

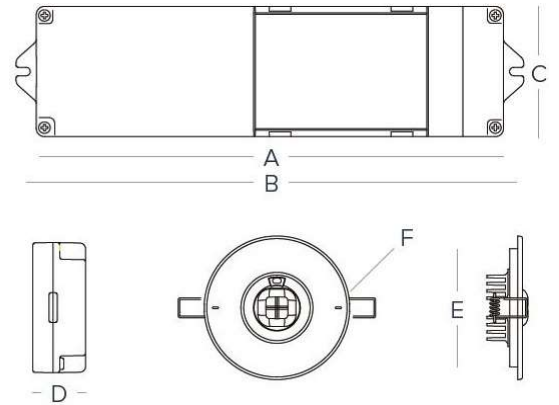
SPOTLED series self-contained LED emergency light with self-extinguishing RAL9003 white polycarbonate body. False ceiling installation. Power supply 220/230 Vac, 50-60 Hz. Type Non-Maintained or Maintained; luminous flux 300 lm. Symmetrical and Asymmetrical optics included.

N.1 rechargeable LiFePO₄ battery @ 1.5 Ah included; charging time 12 H; autonomy 1 H. Function/Malfunction signalling LEDs. Integrated module for centralized diagnosis. Protection rating IP40, double insulated, operating temperature 0 °C ÷ 40 °C.

Description

Product series	SPOTLED
Product type	Emergency luminaire
Version	BUS supervised
Type	Non-Maintained, Maintained
Module dimensions	230 x 65 x 26 mm
Spotlight diameter	90 mm

A = mm 230
 B = mm 240,2
 C = mm 65
 D = mm 26
 F = Ø 90
 E = Ø 74



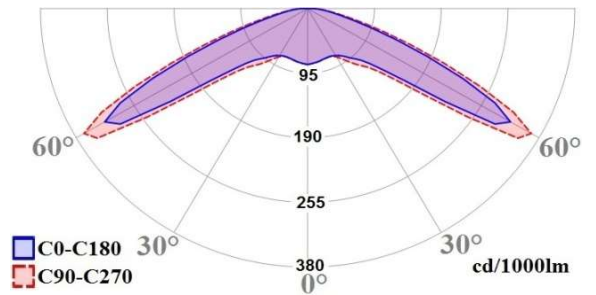
Technical specifications

Installation	False ceiling
Power supply	220/230 V~, 50-60 Hz
Absorbed power in W	6.0 W
Max absorbed power in VA	9.2 VA
Battery	N.1 LiFePO ₄ 3.2 V 1.5 Ah
Autonomy	1 H
Total charging time	12 H

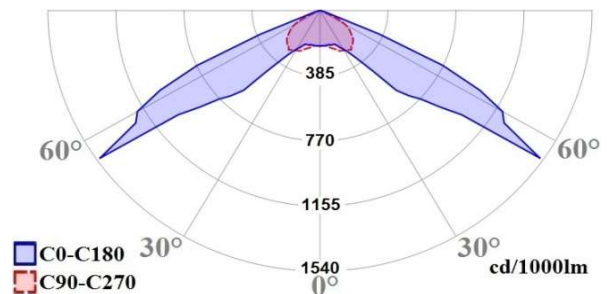
Driver Body	White Polycarbonate RAL9003
Spotlight Frame	White Polycarbonate RAL9003
Glow wire	850 °C
IP Protection rating	IP40
IK Protection rating	IK07
Insulation class	II
Operating temperature	0° - 40°C
Maintained mode information	Dedicated terminal 230 V~
Compliant to standards	EN 60598-1, EN 60598-2-22, EN 61547 EN 55015, EN 61000-3-2, EN 61000-3-3 EN 61347-1, EN 61347-2-7, EN 62034

Light source	LED
Colour temperature	5700K
Min. luminous flux in emergency	300 lm
Lum. flux in Maintained mode	220 lm

Symmetrical optics

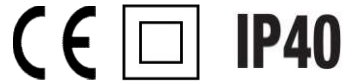


Asymmetrical optics



SPOTLED

Cod. SPBA240340



Introduction

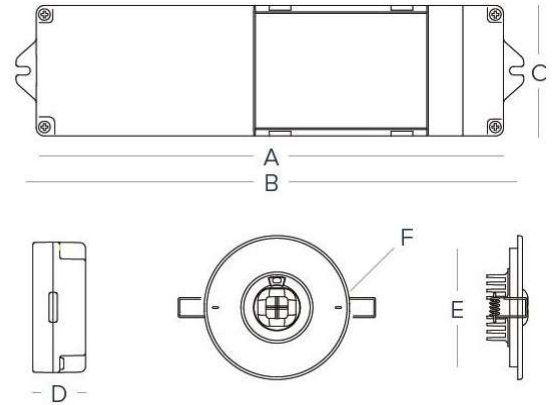
SPOTLED series self-contained LED emergency light with self-extinguishing RAL9003 white polycarbonate body. False ceiling installation. Power supply 220/230 Vac, 50-60 Hz. Type Non-Maintained or Maintained; luminous flux 300 lm. Symmetrical and Asymmetrical optics included.

N.2 rechargeable LiFePO₄ batteries @ 1.5 Ah included; charging time 12 H; autonomy 3 H. Function/Malfunction signalling LEDs. Integrated module for centralized diagnosis. Protection rating IP40, double insulated, operating temperature 0 °C ÷ 40 °C.

Description

Product series	SPOTLED
Product type	Emergency luminaire
Version	BUS supervised
Type	Non-Maintained, Maintained
Module dimensions	230 x 65 x 26 mm
Spotlight diameter	90 mm

A = mm 230
 B = mm 240,2
 C = mm 65
 D = mm 26
 F = ø 90
 E = ø 74



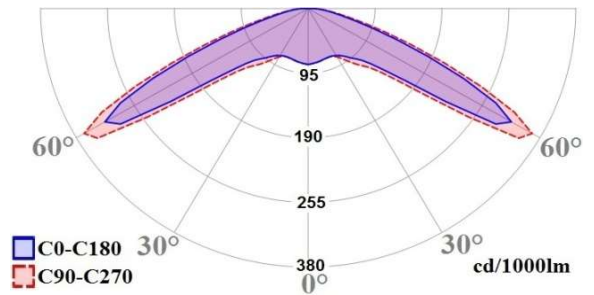
Technical specifications

Installation	False ceiling
Power supply	220/230 V~, 50-60 Hz
Absorbed power in W	6.0 W
Max absorbed power in VA	9.2 VA
Batteries	N.2 LiFePO ₄ 3.2 V 1.5 Ah
Autonomy	3 H
Total charging time	12 H

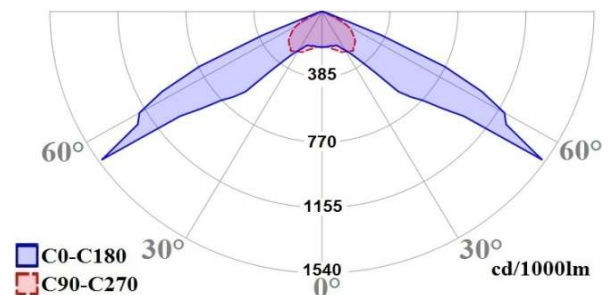
Driver Body	White Polycarbonate RAL9003
Spotlight Frame	White Polycarbonate RAL9003
Glow wire	850 °C
IP Protection rating	IP40
IK Protection rating	IK07
Insulation class	II
Operating temperature	0° - 40°C
Maintained mode information	Dedicated terminal 230 V~
Compliant to standards	EN 60598-1, EN 60598-2-22, EN 61547 EN 55015, EN 61000-3-2, EN 61000-3-3 EN 61347-1, EN 61347-2-7, EN 62034

Light source	LED
Colour temperature	5700K
Min. luminous flux in emergency	300 lm
Lum. flux in Maintained mode	220 lm

Symmetrical optics



Asymmetrical optics



SPOTLED

Cod. SPLA240040

**Introduction**

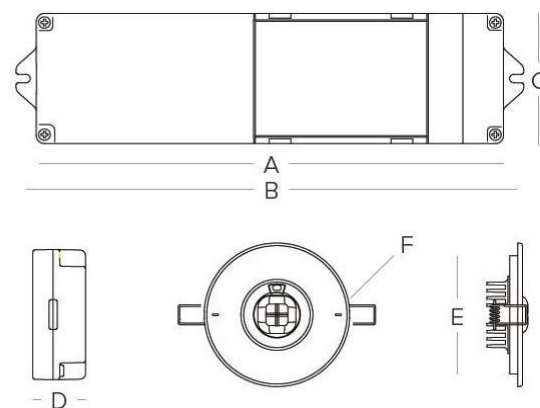
SPOTLED series LED emergency light for centralized power supply system with self-extinguishing RAL9003 white polycarbonate body. False ceiling installation. Power supply 220/230 Vac, 50-60 Hz. Luminous flux 300 lm. Symmetrical and Asymmetrical optics included.

Protection rating IP40, double insulated, operating temperature 0 °C ÷ 40 °C.

Description

Product series	SPOTLED
Product type	Emergency luminaire
Version	Central Battery (centralized power supply)
Type	-
Module dimensions	230 x 65 x 26 mm
Spotlight diameter	90 mm

A = mm 230
B = mm 240,2
C = mm 65
D = mm 26
F = Ø 90
E = Ø 74

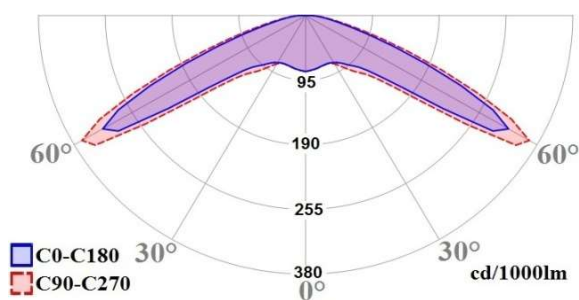
**Technical specifications**

Installation	False ceiling
Power supply	220/230 V~, 50-60 Hz
Absorbed power in W	4.3 W
Max absorbed power in VA	6.7 VA
Battery	-
Autonomy	-
Total charging time	-

Driver Body	White Polycarbonate RAL9003
Spotlight Frame	White Polycarbonate RAL9003
Glow wire	850 °C
IP Protection rating	IP40
IK Protection rating	IK07
Insulation class	II
Operating temperature	0° - 40°C
Compliant to standards	EN 60598-1, EN 60598-2-22, EN 61547 EN 55015, EN 61000-3-2, EN 61000-3-3 EN 61347-1, EN 61347-2-7

Light source	LED
Colour temperature	5700K
Luminous flux	300 lm

Symmetrical optics



Asymmetrical optics

